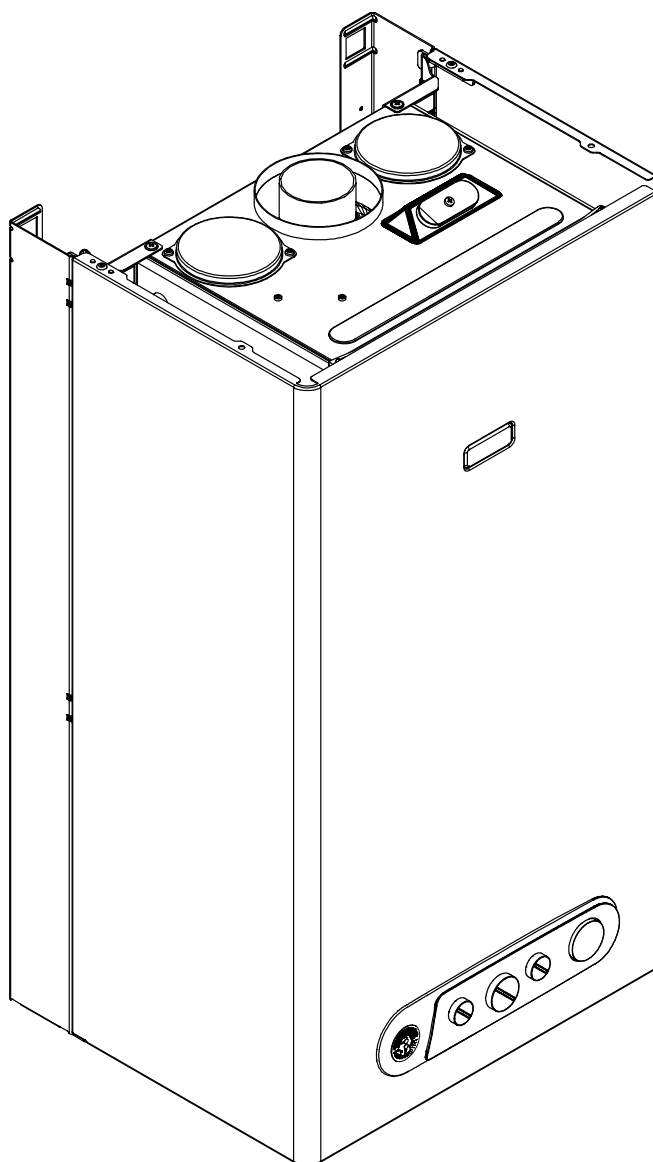
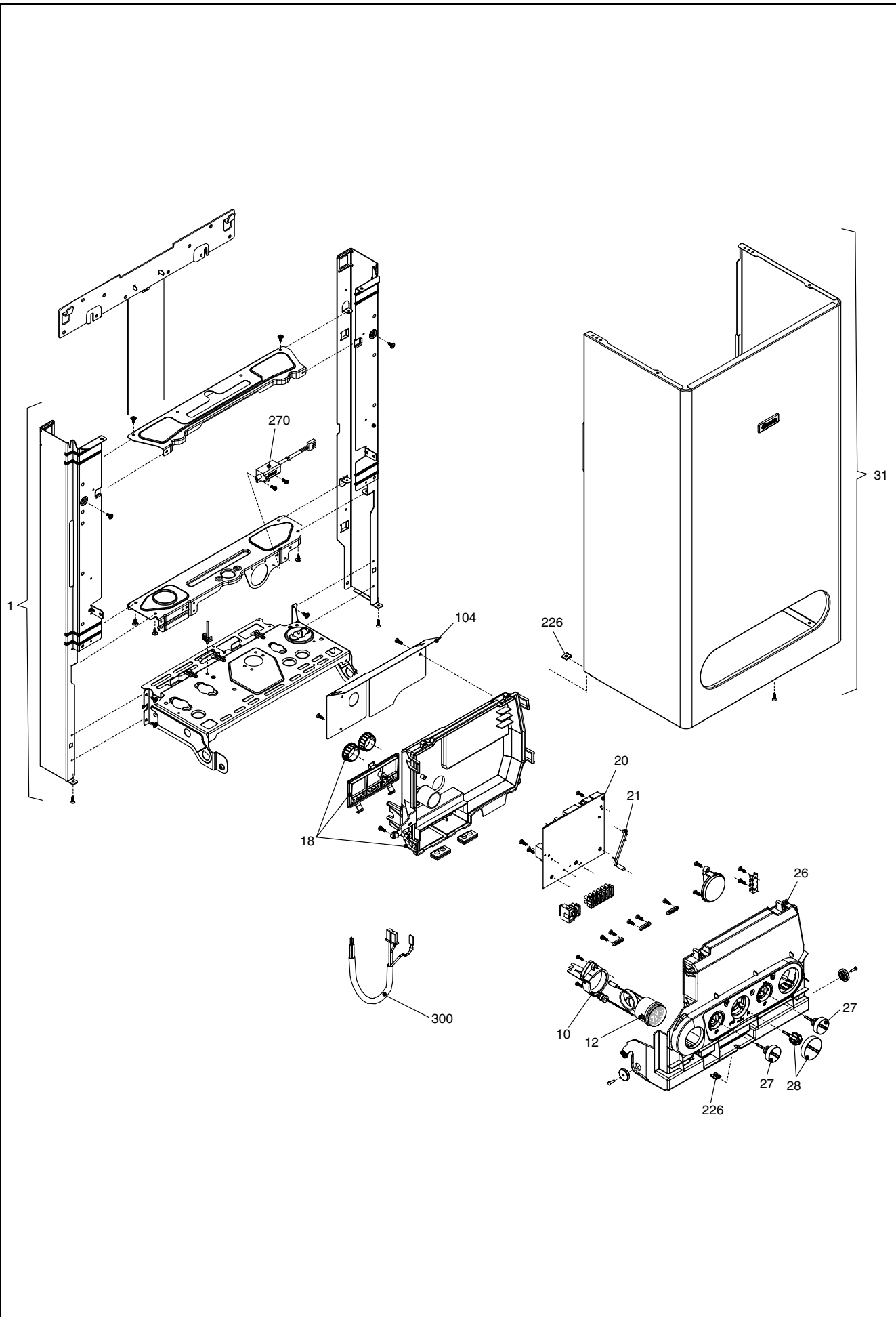


Wall hung boilers

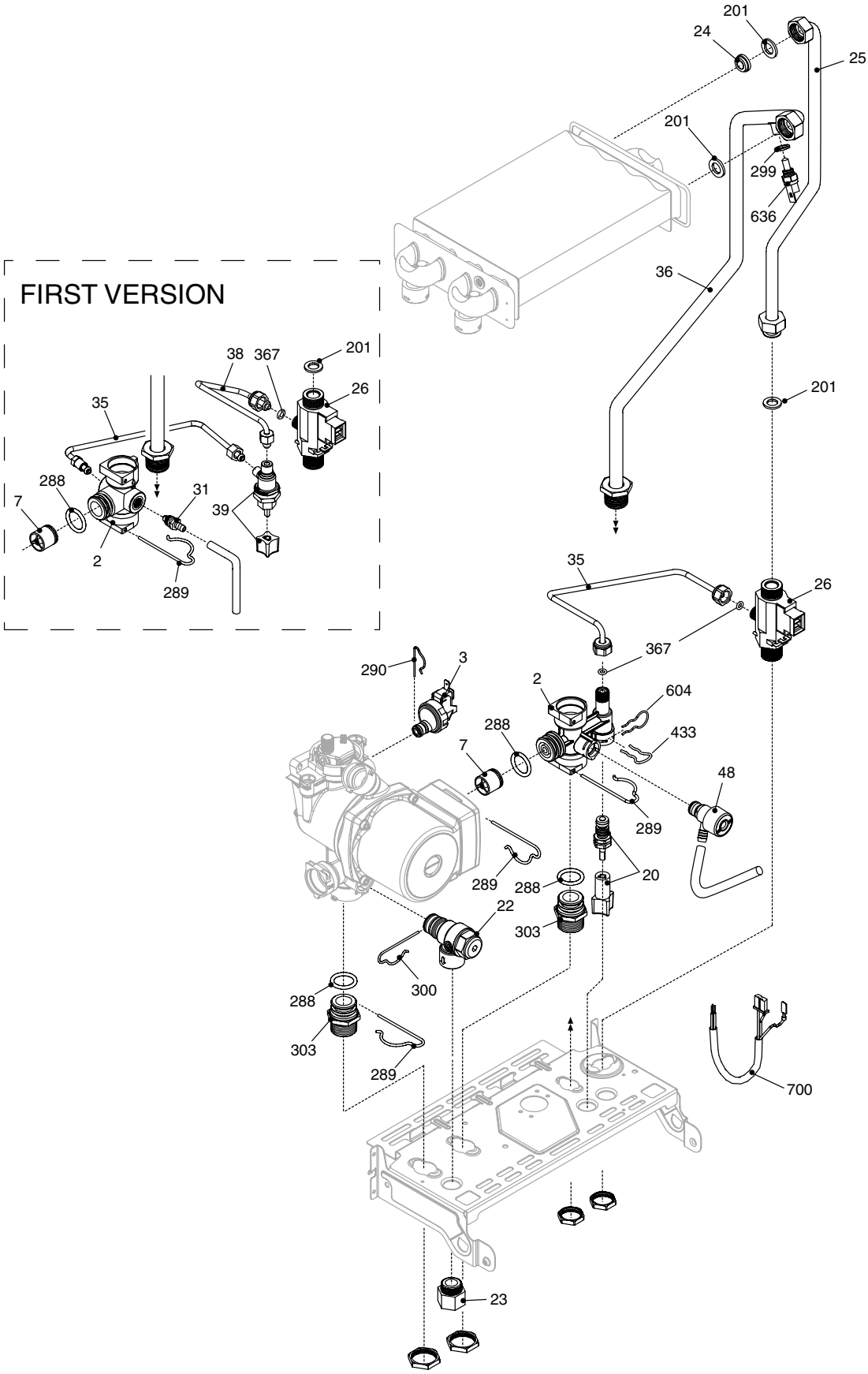
Ciao N



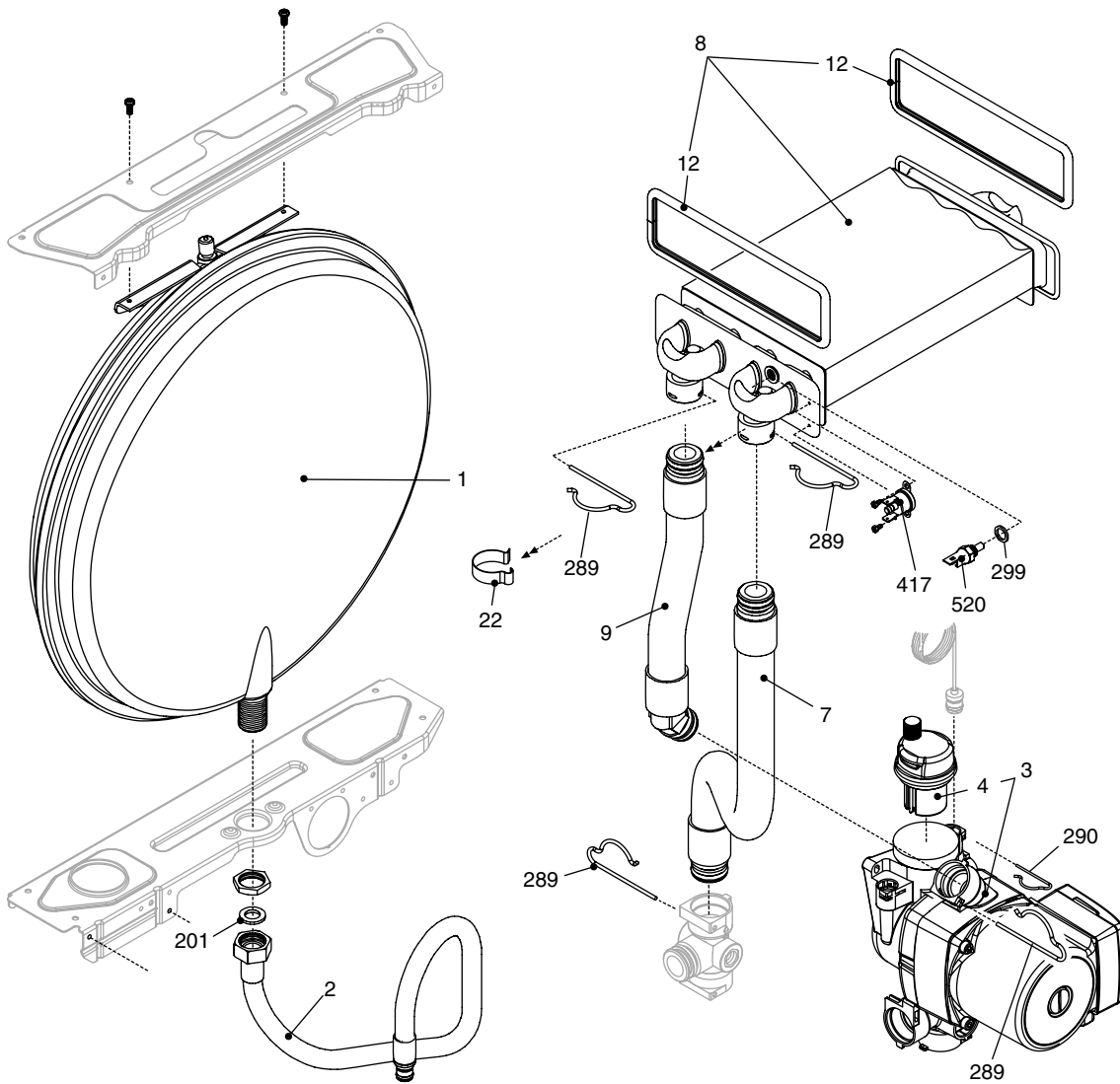
MODEL	PART NUMBER	
	MTN	GPL
Ciao 24 Cai N 2V	1151073 (C8M)	1151075 (C9M)
Ciao 24 Csi N 2V	1151083 (C1N)	1151085 (C2N)
Ciao 28 Cai N 2V	1151093 (C3N)	1151095 (C4N)
Ciao 28 Csi N 2V	1151103 (C5N)	1151105 (C6N)
Ciao 18 Csi N 2V	1151113 (C7N)	-



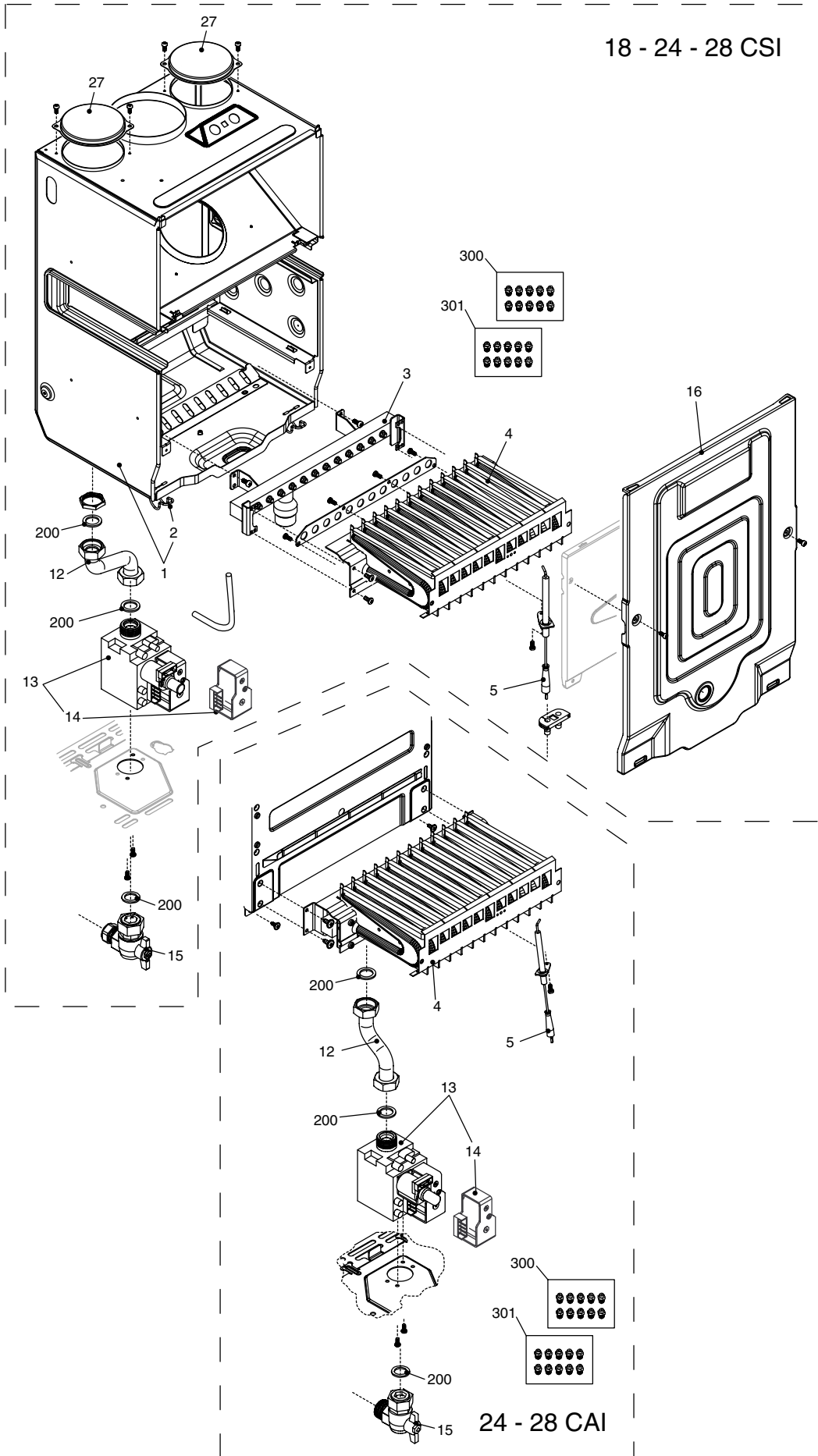
POS.	DESCRIPTION	24cai	24csi	28cai	28csi	18csi
1	Frame assembly	R01005259	R01005259	R01005260	R01005260	R01005259
10	Water gauge carrier	R10029105	R10029105	R10029105	R10029105	R10029105
12	Thermo-pressure gauge	R10030294	R10030294	R10030294	R10030294	R10030294
18	Cover	R10024976	R10024976	R10024976	R10024976	R10024976
20	Printed circuit board CPBTR08	R10030433	R10030433	R10030433	R10030433	R10030433
21	Led light guide	R10023816	R10023816	R10023816	R10023816	R10023816
26	Instrumental panel	20001048	20001048	20001048	20001048	20001048
27	Knob	R10023937	R10023937	R10023937	R10023937	R10023937
28	Knob	R10023936	R10023936	R10023936	R10023936	R10023936
31	Case	R10023822	R10023822	R10023883	R10023883	R10023822
104	Protection	R10025084	-	R10025084	-	-
226	Clip	R5128	R5128	R5128	R5128	R5128
270	Ignition transformer TR2	R10021272	R10021272	R10021272	R10021272	R10021272
300	Wiring harness	R10023840	R10023840	R10023840	R10023840	R10023840



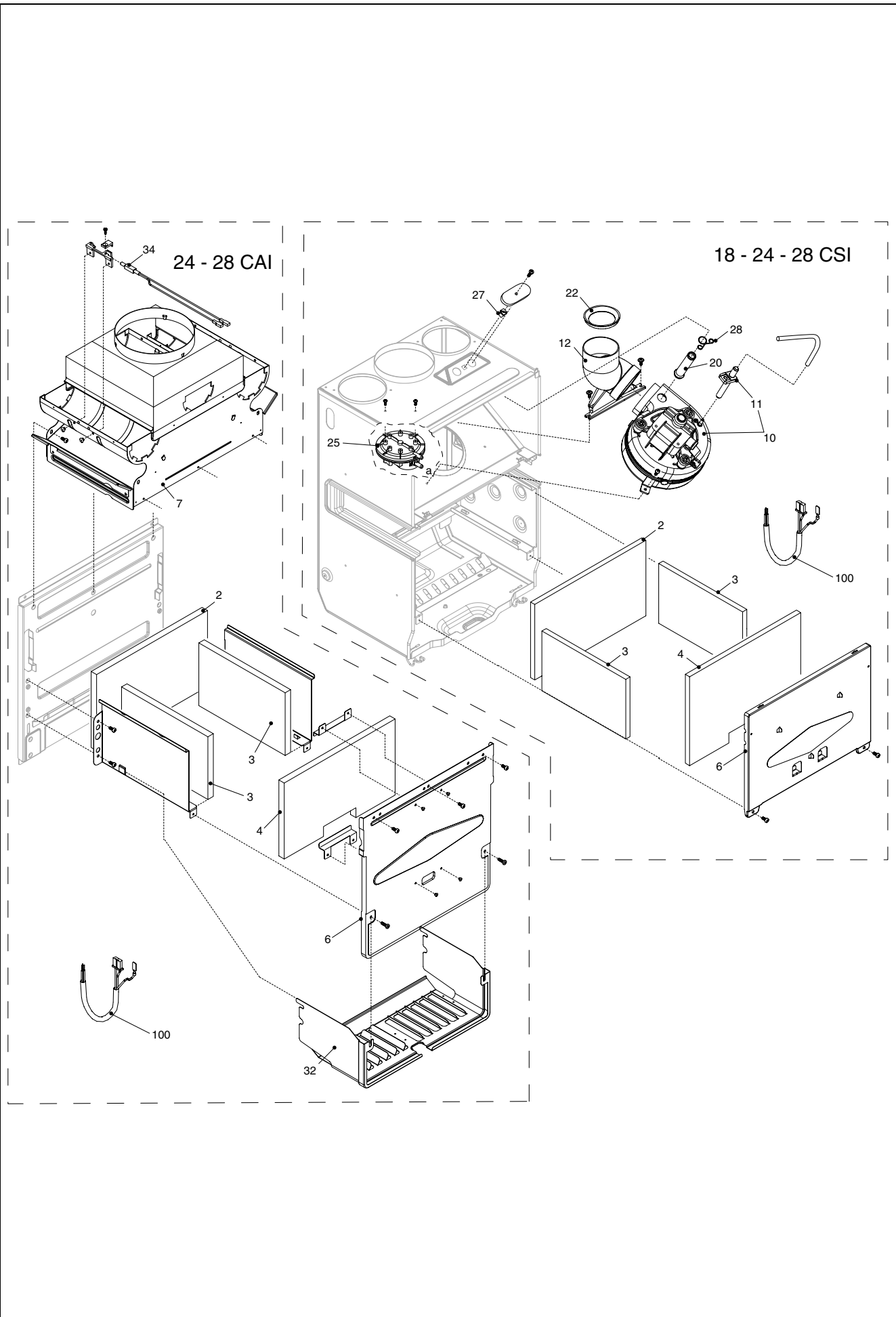
POS.	DESCRIPTION	24cai	24csi	28cai	28csi	18csi
2	Connection	20000532	20000532	20000532	20000532	20000532
2	Connection (First version)	R10023988	R10023988	R10023988	R10023988	R10023988
3	Pressure water switch	R10028141	R10028141	R10028141	R10028141	R10028141
7	Heating by-pass valve	R2047	R2047	R2047	R2047	R2047
20	Filling cock	20001232	20001232	20001232	20001232	20001232
22	Safety valve	R2907	R2907	R2907	R2907	R2907
23	Fitting/union	R10022499	R10022499	R10022499	R10022499	R10022499
24	Flow governor	R8009	R8009	R9430	R9430	R8008
25	Pipe	R10020714	R10020714	R10023950	R10023950	R10020714
26	Dhw actuator	R10022752	R10022752	R10022752	R10022752	R10022752
31	Drain tap	R01005137	R01005137	R01005137	R01005137	R01005137
35	Pipe	20000538	20000538	20000538	20000538	20000538
35	Pipe (First version)	R10022706	R10022706	R10022706	R10022706	R10022706
36	Pipe	R10020612	R10020612	R10023949	R10023949	R10020612
38	Pipe	R10022705	R10022705	R10022705	R10022705	R10022705
39	Hydraulic group	R10022511	R10022511	R10022511	R10022511	R10022511
48	Cock	20000533	20000533	20000533	20000533	20000533
201	Washer	R5026	R5026	R5026	R5026	R5026
288	Ring	R6898	R6898	R6898	R6898	R6898
289	Clip	R2223	R2223	R2223	R2223	R2223
290	Clip	R2165	R2165	R2165	R2165	R2165
299	Washer	R10022726	R10022726	R10022726	R10022726	R10022726
300	Clip	R2222	R2222	R2222	R2222	R2222
303	Fitting/union	R2217	R2217	R2217	R2217	R2217
367	O ring	R8542	R8542	R8542	R8542	R8542
433	Clip	R10024986	R10024986	R10024986	R10024986	R10024986
604	Clip	20000539	20000539	20000539	20000539	20000539
636	NTC sensor	20004898	20004898	20004898	20004898	20004898
700	Control cable	R10023939	R10023939	R10023939	R10023939	R10023939



POS.	DESCRIPTION	24cai	24csi	28cai	28csi	18csi
1	Expansion vessel	R2204	R2204	R2204	R2204	R2204
2	Pipe	R10023603	R10023603	R10023603	R10023603	R10023603
3	Pump 5 mt.	20002906	20002906	20002906	20002906	20002906
4	Air vent bottle	20035019	20035019	20035019	20035019	20035019
7	Pipe	R10022000	R10022000	R10023947	R10023947	R10022000
8	Heat exchanger	R10021419	20005150	R10023661	20005151	20005150
9	Pipe	R10022002	R10022002	R10023948	R10023948	R10022002
12	Washer	-	R2226	-	R2226	R2226
22	Clip	R10026049	R10026049	R10026049	R10026049	R10026049
201	Washer	R5026	R5026	R5026	R5026	R5026
289	Clip	R2223	R2223	R2223	R2223	R2223
290	Clip	R2165	R2165	R2165	R2165	R2165
299	Washer	R10022726	R10022726	R10022726	R10022726	R10022726
417	High limit thermostat	R10024710	R10024710	R10024710	R10024710	R10024710
520	NTC sensor	20004832	20004832	20004832	20004832	20004832



POS.	DESCRIPTION	24cai	24csi	28cai	28csi	18csi
1	Air box bottom	-	R10024669	-	R10023904	R10024669
2	Clip	-	R0442	-	R0442	-
3	Main burner injector manifold	-	R10025271	-	R10023902	R10026944
4	N.G. burner	R10025273	R10025270	R10023876	R10023901	R10023798
5	Spark / ignition electrode	R10025985	R10025985	R10025985	R10025985	R10025985
12	Gas pipe	R10024330	R10023996	R10024330	R10023996	R10023996
13	Gas valve	20007784	20007784	20007784	20007784	20007784
14	Gas valve solenoid	20040675	20040675	20040675	20040675	20040675
15	3/4" gas cock	R2266	R2266	R2266	R2266	R2266
16	Cover assembly	-	R10024779	-	R10023928	R10024779
27	Plug	-	20005586	-	20005586	20005586
200	Washer	R5023	R5023	R5023	R5023	R5023
300	Ng conversion kit	R01005225	R01005225	R01005225	R01005225	R01005375
301	LPG conversion kit	R01005217	R01005297	R01005217	R01005297	R01005374



POS.	DESCRIPTION	24cai	24csi	28cai	28csi	18csi
2	Back insulatin panel	R5270	R2230	R5316	R10023909	R2230
3	Combustion chamber insulation panel	R2272	R2231	R2272	R2231	R2231
4	Combustion chamber insulation panel	R5269	R2232	R5315	R10023910	R2232
6	Combustion chamber cover	R2599	R10024670	R10024013	R10026355	R10024670
7	Flue draught diverter	R10027526	-	R10027527	-	-
10	Fan	-	R10020793	-	R10023907	R10026946
11	Pressure tube	-	R10021726	-	R10024191	R10021726
12	Fan connection	-	R10021972	-	R10021972	R10021972
20	Fumes testing connection pipe	-	R10021973	-	R10021973	R10021973
22	Flange Ø 42	-	20020377	-	-	20020377
22	Flange Ø 44	-	R2586	-	-	R2586
22	Flange Ø 46	-	20020378	-	-	20020378
22	Flange Ø 45	-	-	-	20020309	-
22	Flange Ø 47	-	-	-	20020310	-
22	Flange Ø 49	-	-	-	20020381	-
25	Pressure switch	-	R01005272	-	R10023908	R10023908
27	Nut screw	-	R10020625	-	R10020625	R10020625
28	Clip	-	R10020626	-	R10020626	R10020626
32	Combustion chamber bottom	R10024609	-	R10024608	-	-
34	Fumes thermostat	R10021449	-	R10021188	-	-
100	Combustion cable	R10023846	R10023838	R10023846	R10023838	R10023838

Rev.	data	Descrizione
1.0	15/02/08	E00120080039 : Circolatore
2.0	02/04/08	E00120080154 : Cruscotto
3.0	04/08/08	E00120080272 : sonda – E00120080282 : scambiatore E00120080215 : caricamento versione tipo basic
4.0	23/02/2010	E00120090613 : tappo scatola aria
5.0	13/07/2011	E00120110317 : nuova bobina valvola gas – Inserito degasatore del circolatore
6.0	24/04/2013	E00120120141 : presa pressione ventilatore – E00120120115 : valvola gas Aggiunto coperchio camera combustione

